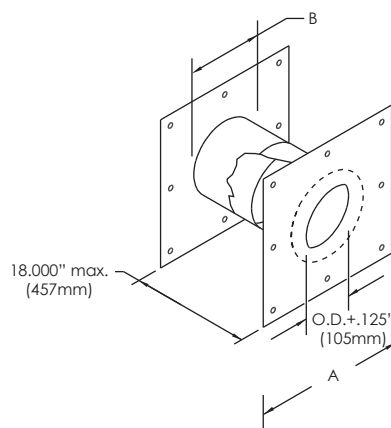
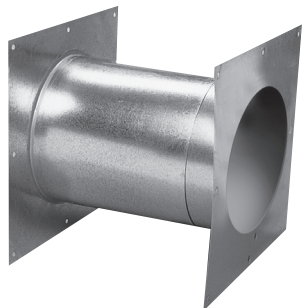


TECHNICAL DATA SHEET

WALL FIRESTOP • WFS

Used to keep a minimum clearance from combustible materials where the flue passes through a wall.



DOUBLE WALL 2" and 4":
A = O.D + 2*Clearance + 8
B = O.D + *Clearance

AVAILABLE FOR MODELS:

IPPL/IPPL2/IPPL2F/IPPL4F

HEPL/HEPL2

GDPL/GDPL2F/GDPL4F