

TECHNICAL DATA SHEET

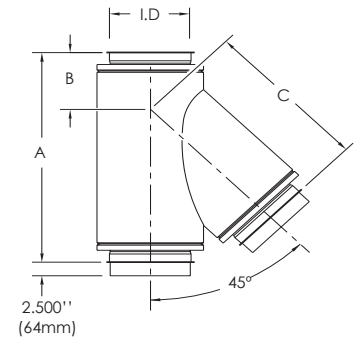
45° TEE • T45

For connection of vertical and horizontal lengths at a 45° angle. It provides low resistance to facilitate gas discharge. A tee cap (TC) or drain-tee cap (DC) may be used to block one of the cleaning or drainage openings.

Includes:

- 1 Assembly band (AB)
- 1 Finishing band (FB)

K = 0.4



DOUBLE WALL - 2"							
I.D.		A		B		C	
in	mm	in	mm	in	mm	in	mm
6	152	27.485	698	8.743	222	18.743	476
8	203	30.314	770	9.157	233	21.157	537
10	254	33.142	842	9.571	243	23.571	599
12	305	35.971	914	9.985	254	25.985	660
14	356	38.799	985	10.399	264	28.399	721
16	406	41.627	1057	10.814	275	30.814	783
18	457	44.456	1129	11.228	285	33.228	844
20	508	47.284	1201	11.642	296	35.642	905
22	559	50.113	1273	12.056	306	38.056	967
24	610	52.941	1345	12.471	317	40.471	1028
26	660	55.770	1417	12.885	327	42.885	1089
28	711	58.598	1488	13.299	338	45.299	1151
30	762	61.426	1560	13.713	348	47.713	1212
32	813	64.255	1632	14.127	359	50.127	1273
34	864	67.083	1704	14.542	369	52.542	1335
36	914	69.912	1776	14.956	380	54.956	1396
38	965	72.740	1848	15.370	390	57.370	1457
40	1016	75.569	1919	15.784	401	59.784	1519
42	1067	78.397	1991	16.198	411	62.198	1580
44	1118	81.225	2063	16.613	422	64.613	1641
46	1168	84.054	2135	17.027	432	67.027	1702
48	1219	86.882	2207	17.441	443	69.441	1764

DOUBLE WALL - 4"							
I.D.		A		B		C	
in	mm	in	mm	in	mm	in	mm
6	152	31.485	799	8.743	222	22.743	577
8	203	34.314	871	9.157	232	25.157	639
10	254	37.142	943	9.571	243	27.571	700
12	305	39.791	1015	9.985	253	29.985	761
14	356	42.799	1087	10.399	264	32.399	822
16	406	45.627	1158	10.814	274	34.814	884
18	457	48.456	1280	11.228	285	37.228	945
20	508	51.284	1302	11.642	295	39.642	1006
22	559	54.113	1374	12.056	306	42.056	1068
24	610	56.941	1446	12.471	316	44.471	1129
26	660	59.770	1518	12.885	327	46.885	1190
28	711	62.598	1590	13.299	337	49.299	1252
30	762	65.426	1661	13.713	348	51.713	1313
32	813	68.255	1733	14.127	358	54.127	1374
34	864	71.083	1805	14.542	369	56.542	1436
36	914	73.912	1877	14.956	379	58.956	1497
38	965	76.740	1949	15.370	390	61.370	1558
40	1016	79.569	2021	15.784	400	63.784	1620
42	1067	82.397	2092	16.198	411	66.198	1681
44	1118	85.225	2164	16.613	422	68.613	1742
46	1168	88.054	2236	17.027	432	71.027	1804
48	1219	90.882	2308	17.441	433	73.441	1865

AVAILABLE FOR MODELS:

IPPL/IPPL2/IPPL2F/IPPL4F

HEPL/HEPL2