

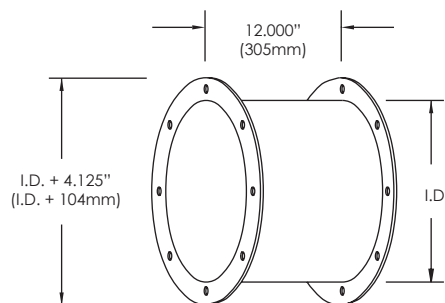
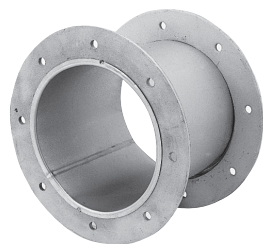
TECHNICAL DATA SHEET

STARTING SLEEVE • SS

Used to connect the flue to the appliance. Removable, it facilitates access to the appliance for inspection and cleaning. To be used with 3/8"Ø (19mm) nuts and bolts (not included). Available with ANSI 150 lb flanges.

Includes:

2 2" Wide flange



AVAILABLE FOR MODELS:

IPPL/IPPL2/IPPL2F/IPPL4F

HEPL/HEPL2

GDPL/GDPL2F/GDPL4F