

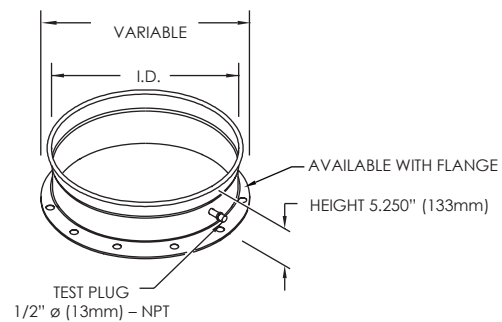
TECHNICAL DATA SHEET

STARTING ADAPTER • SA

Used to connect the flue to the appliance. It allows for sampling of the gases by means of a test plug. Available with ANSI 150 lb flange.

Includes:

- 1 Assembly band (AB)
- 1 Finishing band 8" (203mm) (FB)
- 1 2" wide flange
- 1 Insulation strip for IPPL2, IPPL2F and IPPL4F systems



AVAILABLE FOR MODELS:

IPPL/IPPL2/IPPL2F/IPPL4F

HEPL/HEPL2

GDPL/GDPL2F/GDPL4F