

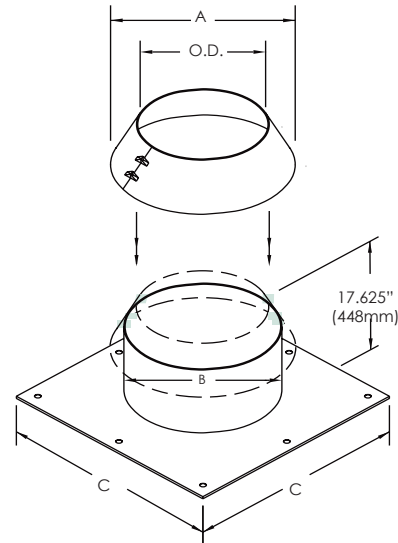
TECHNICAL DATA SHEET

RADIANT FIRESTOP • RFS

Used to protect combustible materials where a chimney passes through an attic. It ensures a minimum distance from combustible materials.

Includes:

1 Protecting collar



DOUBLE WALL 2" and 4":

$$A = O.D + 2 * Clearance + 4$$

$$B = O.D + 2 * Clearance$$

$$C = O.D + 2 * Clearance + 12$$

AVAILABLE FOR MODELS:

IPPL/IPPL2/IPPL2F/IPPL4F

HEPL/HEPL2

GDPL/GDPL2F/GDPL4F