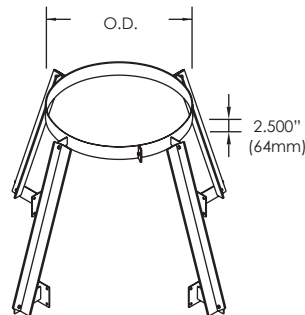


TECHNICAL DATA SHEET

ROOF BAND • RB

Used to stabilize a chimney laterally where it extends more than 10'-0" (3048mm) above the roof or for locations exposed to strong winds. It is attached to the chimney and the roof curb and does not require anchoring to the roof.



AVAILABLE FOR MODELS:

IPP/IPPL/IPPL2/IPPL2F/IPPL4F

HEP/HEPL/HEPL2

GDP/GDPL/GDPL2F/GDPL4F