

TECHNICAL DATA SHEET

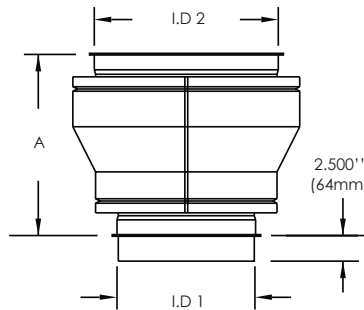
REDUCER • R

Used to reduce the diameter of the flue or chimney. Specify the diameter of the inlet and outlet of the fitting.

Includes:

- 1 Assembly band (I.D. 2) (AB)
- 1 Finishing band (O.D. 2) (FB)

$$K = 0.5 \left(1 - \left(\frac{I.D.1}{I.D.2} \right)^2 \right)^2$$



Difference between I.D. 2 - I.D. 1	SINGLE AND DOUBLE WALL	
	Dim. A	
	in	mm
2	15.000	381
4	19.000	483
6	23.000	585
8	27.000	687
10	31.000	789

AVAILABLE FOR MODELS:

IPP/IPPL/IPPL2/IPPL2F/IPPL4F

HEP/HEPL/HEPL2

GDP/GDPL/GDPL2F/GDPL4F