

TECHNICAL DATA SHEET

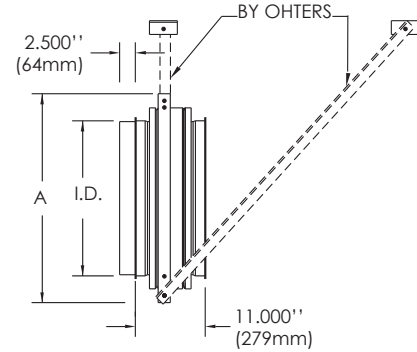
HORIZONTAL SUPPORT • HS

Used to support the flue in horizontal runs. It keeps the flue at an adjustable distance from the ceiling. The oblique braces (not included) may be attached to the ceiling either ahead of or behind the supporting surface.

Includes:

- 1 Assembly band (AB)
- 1 Finishing band (FB)
- 4 Wall brackets

K = Same as pipe length



DOUBLE WALL - 2"			
I.D.		A	
in	mm	in	mm
6	152	14.000	356
8	203	16.000	406
10	254	18.000	457
12	305	20.000	508
14	356	22.000	559
16	406	24.000	610
18	457	26.000	660
20	508	28.000	711
22	559	30.000	762
24	610	32.000	813
26	660	34.000	864
28	711	36.000	914
30	762	38.000	965
32	813	40.000	1016
34	864	42.000	1067
36	914	44.000	1118
38	965	46.000	1168
40	1016	48.000	1219
42	1067	50.000	1270
44	1118	52.000	1321
46	1168	54.000	1372
48	1219	56.000	1422

DOUBLE WALL - 4"			
I.D.		A	
in	mm	in	mm
6	152	18.000	457
8	203	20.000	508
10	254	22.000	559
12	305	24.000	610
14	356	26.000	660
16	406	28.000	711
18	457	30.000	762
20	508	32.000	813
22	559	34.000	864
24	610	36.000	914
26	660	38.000	965
28	711	40.000	1016
30	762	42.000	1067
32	813	44.000	1118
34	864	46.000	1168
36	914	48.000	1219
38	965	50.000	1270
40	1016	52.000	1321
42	1067	54.000	1372
44	1118	56.000	1422
46	1168	58.000	1473
48	1219	60.000	1524

AVAILABLE FOR MODELS:

IPPL/IPPL2/IPPL2F/IPPL4F

HEPL/HEPL2

GDPL/GDPL2F/GDPL4F