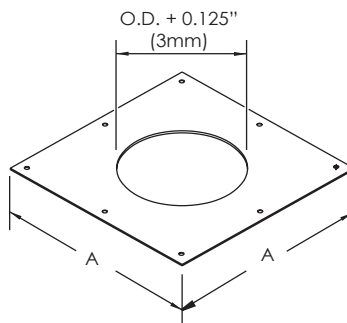
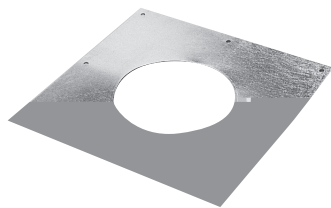


TECHNICAL DATA SHEET

FIRESTOP • FS

Used to keep space between any combustible material of a wall, floor or roof, where a flue or chimney penetrates



DOUBLE WALL 2'' and 4'':
 $A = O.D + 2 * \text{Clearance} + 8$

AVAILABLE FOR MODELS:

IPP/IPPL/IPPL2/IPPL2F/IPPL4F

HEP/HEPL/HEPL2

GDP/GDPL/GDPL2F/GDPL4F